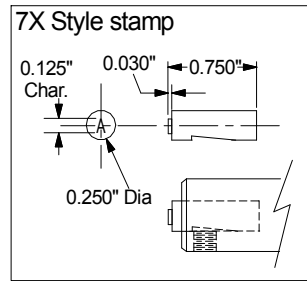
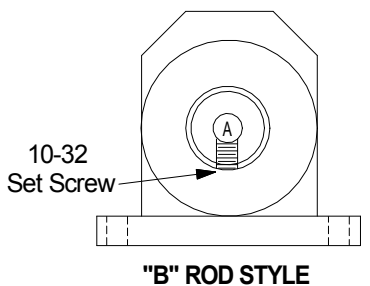
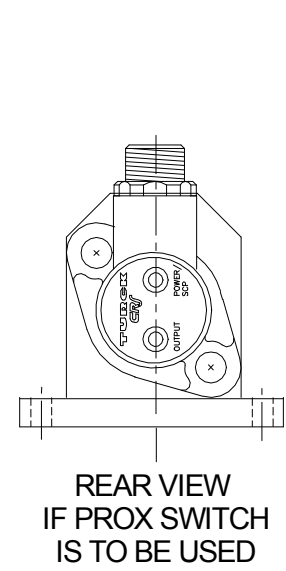
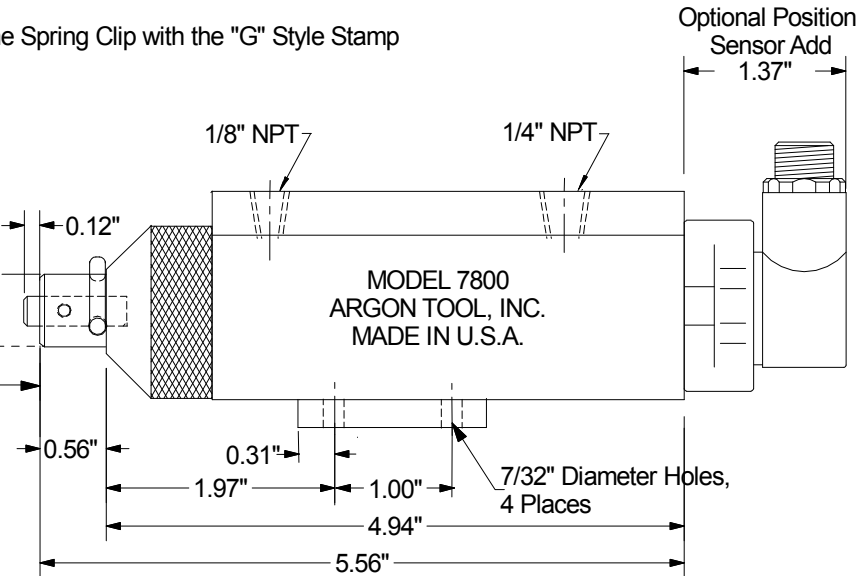
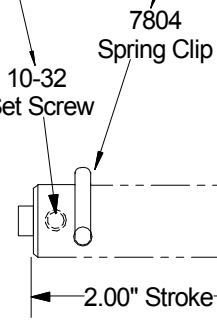
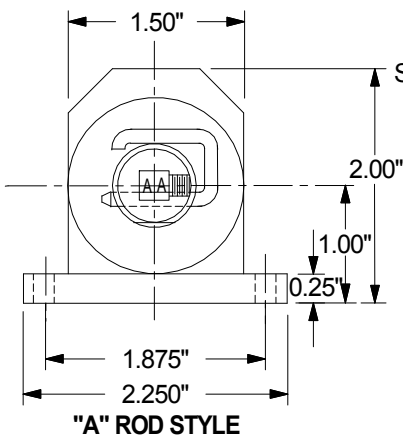


Use 10-32 set screw with "F" Style Stamp  
(Must remove Spring Clip)

Use the Spring Clip with the "G" Style Stamp



**Technical Specifications**  
 Recommended Air Hose: 1/4" I.D. Minimum  
 Recommended Air Valve: 1/4" 4-way  
 Operating pressure: 20-80 psi  
 Max. Marking Pressure: Approx 2250 lbs @ 80 psi

**Stamp Capacities Rod Style "A"**  
 (4) Pc's 1/32" Character, F03 Stamp  
 (4) Pc's 1/16" Character, F06 Stamp  
 (2) Pc's 1/8" Character, F13 Stamp

**Stamp Capacities Rod Style "B"**  
 (1) 7X Style stamp,  
 Available in character sizes 1/16" though 3/16"

<b>ARGON TOOL &amp; MFG. CO.</b>		
SCALE:	FULL	DATE: 4-12-2013
PART NUMBER:	MODEL 7800, 2" Stroke	